



Slurry & Waste Handling





Description

Super elastic Hose in Straight Cured Lengths

Inch	mm	Length	Wall Thickness	Weight (per m)	Bending Radius	Working Pressure	Bursting Pressure	Part No.
6"	152mm	15 feet	9.0mm	5000g	610mm	2.0 bar	6.0 bar	HST0041B
6"	152mm	20 feet	9.0mm	5000g	610mm	2.0 bar	6.0 bar	HST0041



Description

Wash Down Hose Kit

2" Wash Down Hose 10m	Female Coupling 60mm	2" Jetting Nozzle	2" Hose Clips	Complete Part No.
HST0075H	HST0075F	HST0075N	HST0075C	HST0075



Description

Work Screw Hose Clamps

To Suit Hose OD	Part No.
50-70	HST0066
70-90	HST0066A
89-91	HST0066B
60-80	HST0066C
90-110	HST0066D



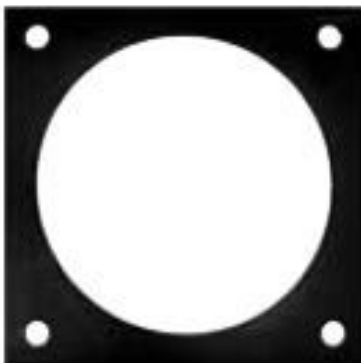
Description		
KKV Male Coupling With Hose End and Handle		
Coupling Size	To Suit Hose Size	Part No.
6"	6"	HST0006M



Description		
KKM Quick Release Female with Flange		
Coupling Size	To Suit Hose Size	Part No.
6"	6"	HST0019F



Description	
4 Hole Weld-On Flange	
Hole Size	Part No.
4"	HST0026



Description	
4 Hole Rubber Gasket	
Hole Size	Part No.
3-6"	HST0027



Description		
OM Male Weld-On Coupling		
Coupling Size	Colour	Part No.
6"	Black	HCT002



Description			
OM Female Coupling with Flange			
Coupling Size	Flange Size	Colour	Part No.
6"	6"	Galvanised	HST0009F



Description		
OM Female Blanking Coupling		
Coupling Size	Colour	Part No.
6"	Black	HCT004



Description			
KKM O' Ring to suit KKM Female			
Coupling Size	A	B	Part No.
4"	210mm	15mm	HCT003



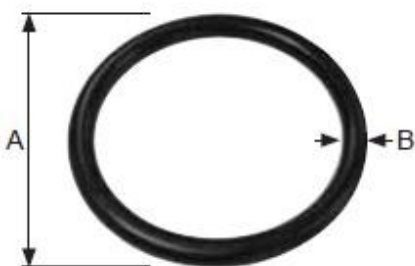
Description			
OM Precision Sprinkler Assembly			
Type	Coupling Size	Colour	Part No.
Male	6"	Galvanised	HST0010M
Female	6"	Galvanised	HST0010K



Description	
Rubber Sprinkle Cone	
Size	Part No.
6"	HST0008



Description			
BAUER Type Female Coupling with Flange			
Coupling Size	Flange Size	Colour	Part No.
6"	6"	Galvanised	HST0011F



Description			
BAUER Type O' Ring			
Coupling Size	A	B	Part No.
6"	208	19	HST0007



Description		
Flange/Flange Large Housing MZ Valve		
No.	Description	Part No.
-	Complete Valve	HST0020
Replacement Parts		
1	Bottom Housing	HST0020A
2	Gasket	HST0020B
3	Plate (Thickness)	HST0020C (25.3X42.5mm)
4	Spindle	HST0020D
5	Top Housing	HST0022
6	Bolt (x6)	HST0020E
7	Graphite ring (x2)	HST0023
8	Nut	HST0020F
9	'U' Piece	HST0020G
10	O' Ring (x2)	HST0023A

Description		
Flange/Flange Large Housing MZ Valve Less Spindle		
No.	Description	Part No.
-	Complete valve less spindle	HST0020H



Description		
Spring Loaded Hydraulic Ram to suit MZ Gate Valve		
To Suit	Seal Kit to Suit	Part No.
6"	HST0021A	HST0021



Description	
Oil Dropper	
Description	Part No.
Double Oil Dropper (1/4" BSP)	HST0068D



Description			
Floating Ball - Rubber			
Size	Weight	Material	Part No.
100mm	400g	Rubber	HST0050



Description			
Floating Ball - Plastic			
Size	Weight	Material	Part No.
120mm	200g	Plastic	HST0051



Description	
Safety Valve	
Size	Part No.
1 1/2" BSP	HST0052



Description	
Safety Valves less Side Spout	
Size	Part No.
1 1/2" BSP	HST0052A
2" BSP	HST0052B



Description	
Decompression Valve	
Size	Part No.
1 1/2" BSP	HST0053



Description			
Pressure Gauges			
Size	Thread Size	Type	Part No.
63mm	1/4" BSP	Standard	HST0054B
100mm	1/2" BSP	Standard	HST0054



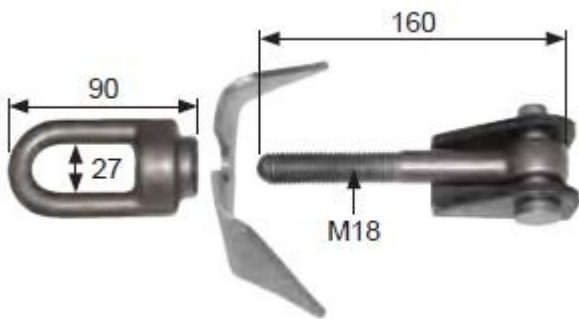
Description			
Observation Glass			
Size	Glass C/W O' Ring	O' Ring Only	Complete Part No.
2"	HST0055	HST0055D	HST0055C
3"	HST0056	HST0057	HST0058



Description					
Syphon					
Size	Glass	O' Ring	Ball	Curved Pipe	Complete Part No.
80mm	HST0015	HST0014	HST0013	HST0016	HST0012



Description	
Glass to suit Old Syphon	
Description	Part No.
Screw-On type glass to suit 60/80mm syphon	HST0015



Description		
M18 Butterfly Clamp		
Description	Colour	Part No.
M18 Butterfly clamp	Black	HST0032



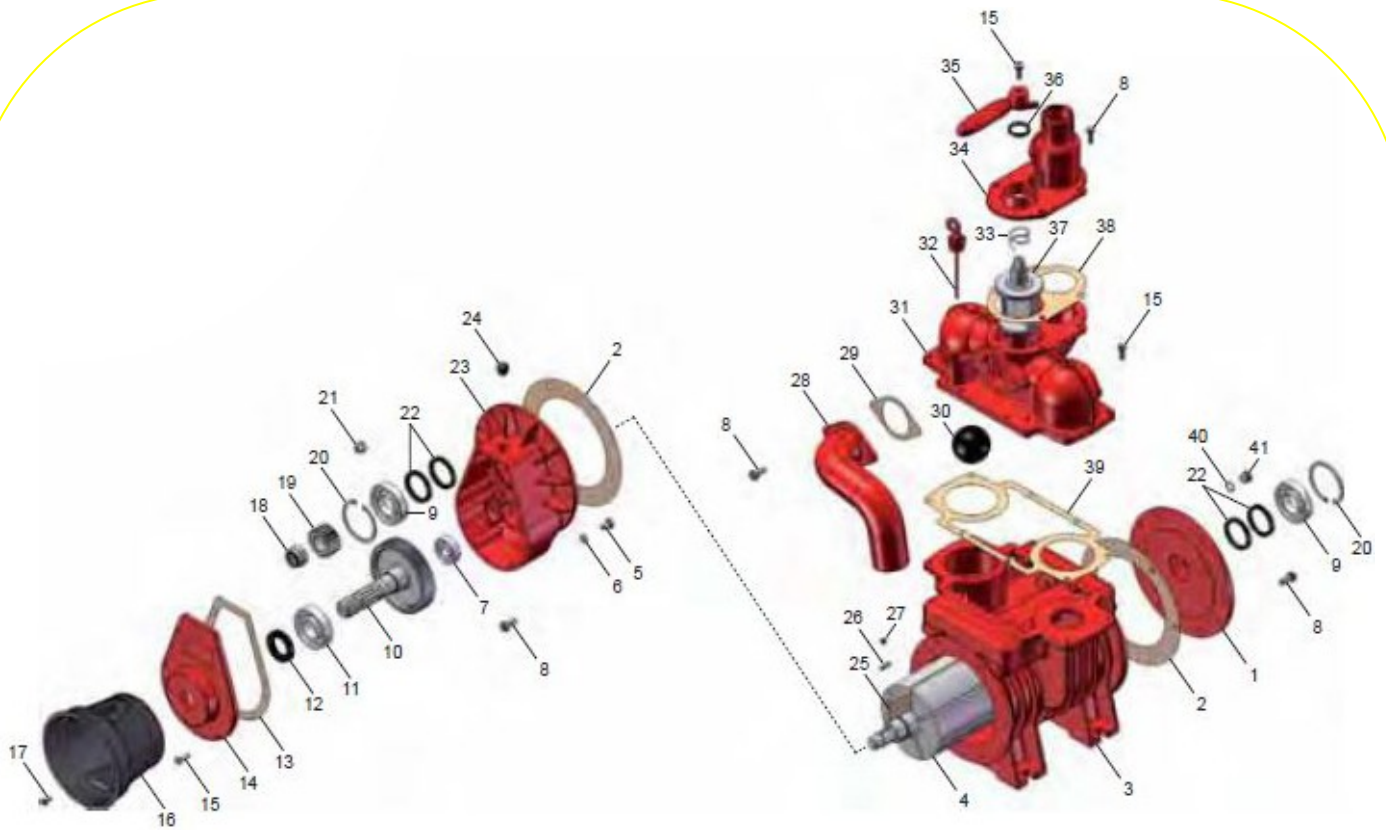
Description	Part No.
Vacuum Pump Oil	HST0074A



Description	
Rubber Coupling Joint to suit Garda Pump	
Description	Part No.
Rubber Coupling Joint	HST0071



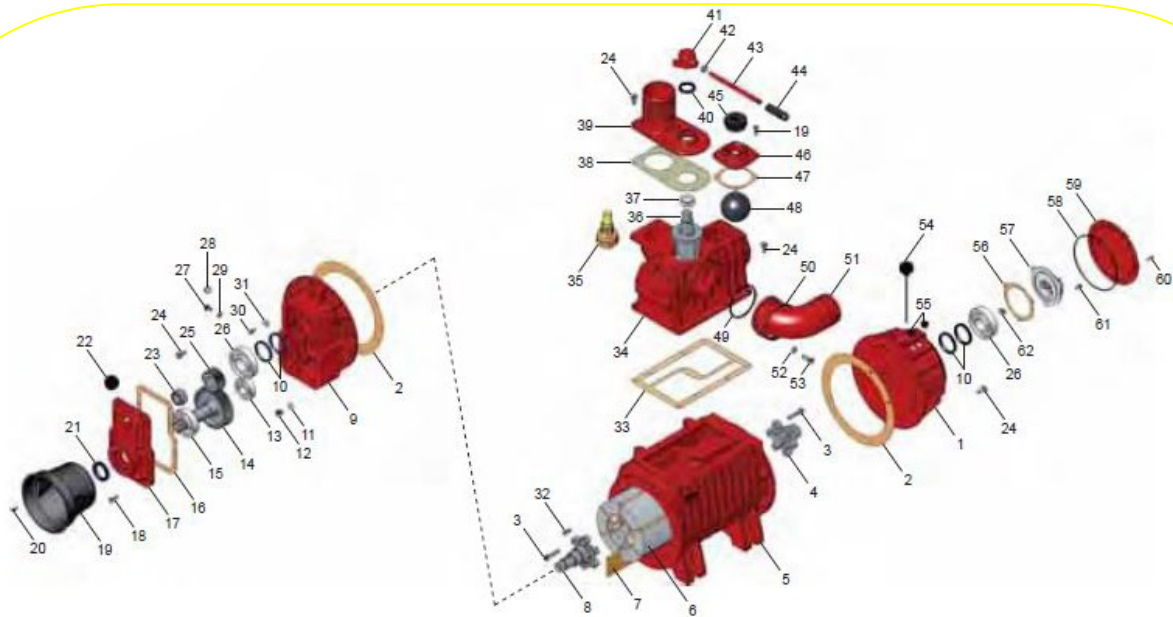
Description	
Clamp to suit Rubber Coupling Joint	
Description	Complete Part No.
Clamp to suit Rubber Coupling Joint	HST0072



Spare Parts to Suit MEC 8000 M Series Pumps

No.	Description	Part No.
-	Complete Pump	HST0068
1	Back cover	HST0068A
2	Gasket	HST0068G
3	MEC 8000 Body	HST0068B
4	MEC 8000 Rotor	HST0068RO
5	Bolt M10x16	HST0068F
6	Washer M10	HST0068W
7	Bearing	HST0068I
8	Bolt M10x25	HST0068M
9	Bearing	HST0068J
10	Gear 53 teeth	HST008I
11	Bearing	HST0068Q
12	Seal 35x62x10	HST0068X
13	Cover gasket	HST0068Z
14	Cover	HST0081C
15	Bolt M8x25	HST0068N
16	Black Cone Bolt-On	HST0068C
17	Bolt M6x16	HST0068O
18	Lock Nut M27x2	HST0068L
19	Gear 23 teeth	HST0081A
20	Internal Circlip ø80	HST0081D
21	Plug 3/8"	HST0044B

No.	Description	Part No.
22	Seal 48x62x8	HST0068Y
23	Housing	HST0081E
24	Stud 3/8"	HST0044A
25	Vane 450x46.5x6.3	HST0059A
26	Key 6x6x25	HST0068K
27	Threaded dowl	HST0081F
28	Exhaust	HST0068E
29	Exhaust Gasket	HST0068EG
30	Ball 40mm	HST0081B
31	Housing	HST0081H
32	Dipstick-New 136mm	HST0068DN
	Dipstick-Old 79mm	HST0068DO
33	Spring	HST0068S
34	Top Housing	HST0068U
35	Handle	HST0068H
36	Seal	HST0081S
37	Valve	HST0068V
38	Gasket	HST0081G
39	Body Gasket	HST0081BG
40	Aluminium Washer	HST0081W
41	Iron Plug	HST0068P



Spare Parts to Suit SE 10000 & 12000 M Series Pumps

No.	Description	To Suit	Part No.
-	Vacuum Pump Complete	10000	HST0082
-	Vacuum Pump Complete	12000	HST0083
1	Cover	All	HST0082A
2	Gasket	All	HST0082D
3	Screw M10x55 12.9	All	HST0082J
4	Rear Pin	All	HST0082K
5	Body Housing	10000	HST0082B
	Body Housing	12000	HST0083B
6	Rotor	10000	HST0082R
	Rotor	12000	HST0083R
7	Vane 350x70x7.5	10000	HST0059
	Vane 400x70x7.5	12000	HST0059C
8	Front Pin	All	HST0082L
9	Front Housing	All	HST0082M
10	Seal 55x68x8	All	HST0082N
11	Washer	All	HST0082S
12	Stud	All	HST0082Q
13	Bearing	All	HST0082W
14	Gear 52 teeth	All	HST0083A
15	Bearing	All	HST0082X
16	Gasket	All	HST0082E
17	Cover	All	HST0082C
18	Bolt M8x25	All	HST0083D
19	Black cone bolt-on	All	HST0082Z
20	Bolt M6x10	All	HST0083E
21	Oil Seal 40x62x10	All	HST0082O
22	Oil cap 1/2"	All	HST0082P
23	Lock Nut M30x2x19	All	HST0083L
24	Bolt M10x25	All	HST0083F

Spare Parts to Suit SE 10000 & 12000 M Series Pumps

No.	Description	To Suit	Part No.
25	Gear 26 Teeth	All	HST0083C
26	Bearing	All	HST0082Y
27	Bolt M10x16	All	HST0083G
28	Plug 3/8"	All	HST0083P
29	Washer M10	All	HST0082T
30	Bolt	All	HST0083H
31	Washer	All	HST0082U
32	Key	All	HST0083K
33	Housing Gasket	All	HST0082H
34	Housing	All	HST0082I
35	Depression valve 1 1/2"	All	HST0083M
36	Valve	All	HST0083N
37	Spring	All	HST0083Q
38	Top Housing Gasket	All	HST0083S
39	80mm Top Housing	All	HST0083T
	100mm Top Housing	All	HST0083U
	76mm Top Housing	All	HST0083V
40	Oil Seal 35x50x7	All	HST0083W
41	Handle Change Over	All	HST0042
42	Handle Lock Nut	All	HST0043B
43	Handle Bar	All	HST0043
44	Handle Grip	All	HST0044
45	Black Plug 2"	All	HST0083Z
46	Relief Valve Flange	All	HST0083O
47	Gasket	All	HST0082F
48	Ball 90mm	All	HST0084
49	Rubber Gasket	All	HST0084G
50	Flange 80mm Exhaust	All	HST0084A
	Flange 100mm Exhaust	All	HST0084B
51	Exhaust 80mm	All	HST0084C
	Exhaust 100mm	All	HST0084D
	Exhaust 76mm	All	HST0084E
52	Washer M10	All	HST0082V
53	Bolt M10x35	All	HST0083I
54	Dipstick	All	HST0046
55	Hose Connector	All	HST0084F
56	Gasket	All	HST0082G
57	Oil Pump	All	HST0083Y
58	Seal	All	HST0083X
59	Back Cover	All	HST0084G
60-61	Bolt M6x16	All	HST0083J
62	Key	All	HST0045